

NEW Ultimate 700W LED Flood Light

The Worlds First 700W LED Flood Light

Product Code: EFX-ULT-700W-UFL



Product Description

using Fluid Dynamic Pressure (FDP) technology.

- Return on investment can be achieved after 1 year of operation!
- Highly energy efficient technology achieving a rating of 94.
- Ultra light and compact design for easy and safe installation.
- World leading heat management technology ensuring the long life and high performance of the LEDs. 46°C maximum.
- Various light beam angle options including 20, 30, 40, 60 & 120 degrees, suitable for numerous applications
- The Ultimate 700W Flood Light consists of the highest quality components available in todays technology, making it the Ultimate lighting solution for any high power application.
- 5 Year Warranty

Applications

- Outdoor Fields
- Building Exteriors
- Golf Courses
- Train Stations
- Factories/Warehouses
- Car Parks
- Ports
- Sporting Arenas
- Sports Courts/Stadiums
- Airports

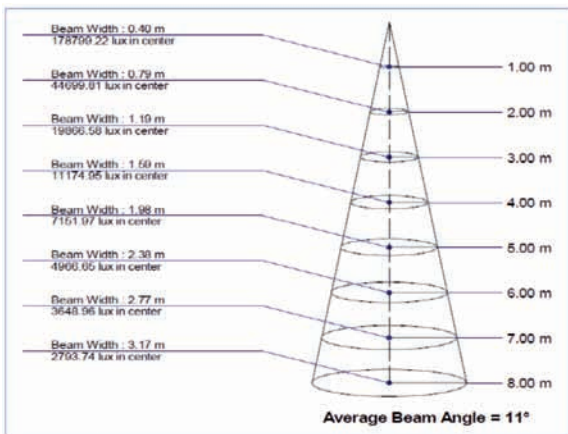
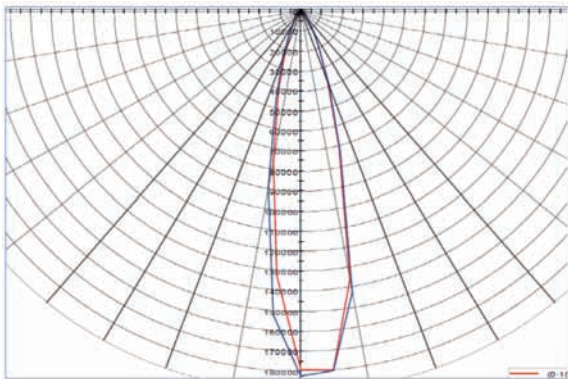
Specifications

Rated Power	700W
Power Factor	>0.9
Lamp Input Voltage	AC 75-230V
Frequency Range	50/60Hz
Electrical Efficiency	94
Luminous Efficiency	78 lm/pw - 80 lm/pw
Color Rendering Index (CRI)	72
Colour Temperature	3000 - 6200K
Control Mode	CC
Luminous Flux	48600 - 54600 lm
Beam Angles	20°,30°,40°,60°,120°
Life	50,000 HR
Protection Grade	IP65
Dimensions (W/D/H)	Ø451x407 mm
Lamp Weight	16.9kg
Working Temperature	-40°C- +70 °C
Chip	Philips Rebel

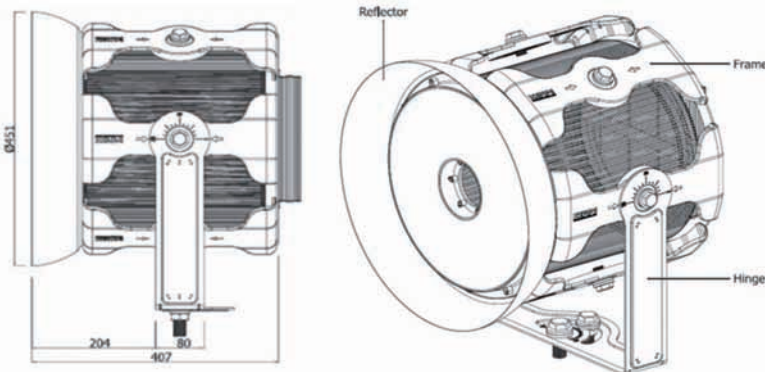
NEW Ultimate 700W LED Flood Light

Product Code: EFX-ULT-700W-UFL

Light Distribution Curve 20°



Dimensions



Ports



Factories



Stations



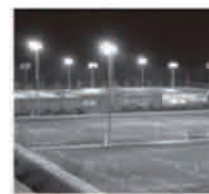
Airports



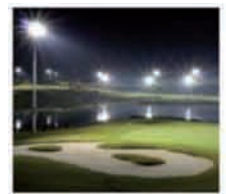
Exteriors



Ports



Outdoor Fields



Golf Courses



Parking Lots



Stadiums